

# ***Installation Instruction for Turn Handle Assembly and Single Point Lock Assembly***

## **TURN HANDLE REMOVAL**

**(NOTE: SEE PAGE 10 WHEN REPLACING OLD STYLE LOCKBOX with NEW STYLE for OLD SINGLE LEAF SCUTTLES with SINGLE POINT LOCKS)**

- 1) Open the cover of the door.
- 2) Using a 1/8" punch, position so that it is in line with the pin in the handle. (See Figure 1)



Figure 1

- 3) Using a hammer, strike the punch so that it knocks out the pin from the handle as shown in Figure 2.



Figure 2

## ***Installation Instruction for Turn Handle Assembly and Single Point Lock Assembly***

- 4) Once the pin has been removed from the handle, pull out the handle that is located inside. (See Figure 3)



Figure 3

- 5) Tap handle shaft with hammer so it can be removed from the topside of the cover. (See Figures 4 and 5)



Figure 4

## ***Installation Instruction for Turn Handle Assembly and Single Point Lock Assembly***



Figure 5

- 6) Now that the handle, shaft, and washers have been completely removed, use a ½” socket wrench to remove the 5/16” self-tapping screws from the cover. Make note that the screws are slightly different. The screw closer to the edge of the cover is the standard while the other is a slightly smaller low profile screw. (See Figure 6)

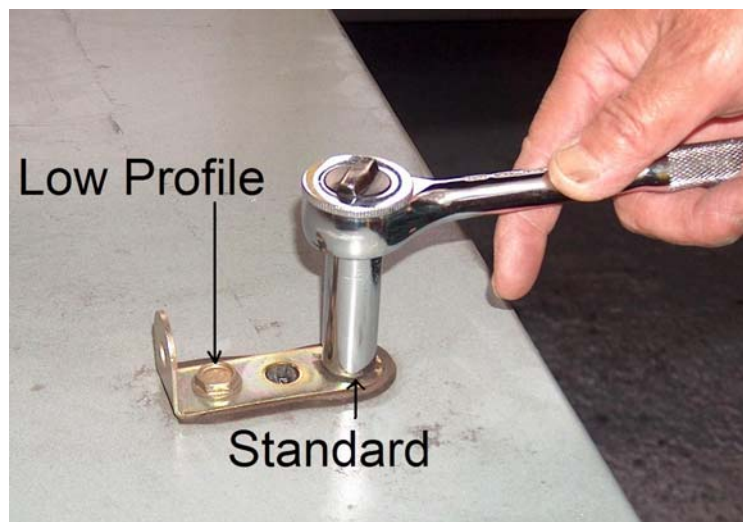


Figure 6

## ***Installation Instruction for Turn Handle Assembly and Single Point Lock Assembly***

- 7) With the screws removed, the padlock hasp and the gasket can be removed from the cover as shown in Figure 7.

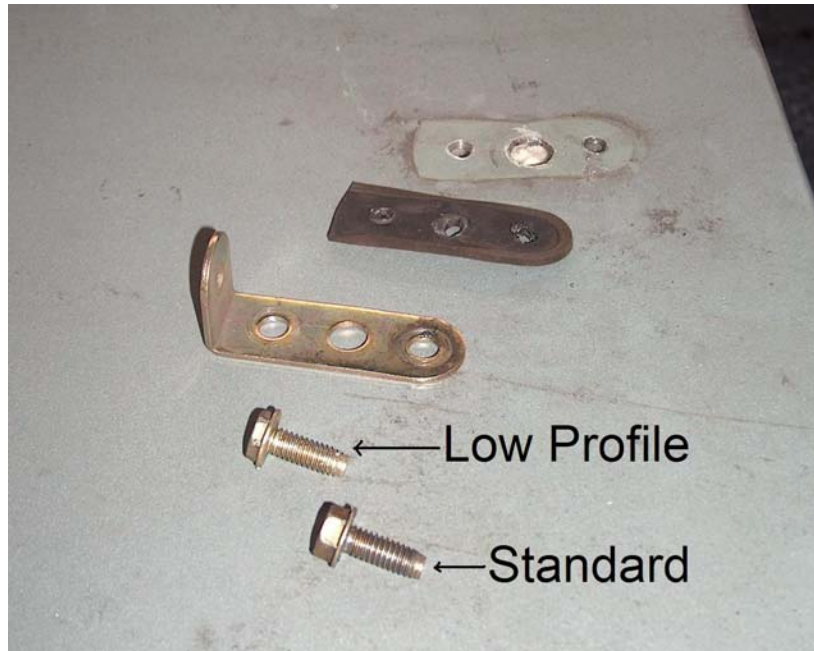


Figure 7

- 8) If you are replacing to single point lock continue on to steps 9-11. If you are only replacing the turn handle skip ahead to step 12.

***Installation Instruction for Turn Handle Assembly and Single  
Point Lock Assembly***  
**SINGLE POINT LOCK REMOVAL**

\*Note: In order to remove or replace the single point lock, the turn handle must be removed

- 9) Using a 1/2" socket wrench remove each of the four self-tapping screws from the cover as shown in Figure 8.



Figure 8

- 10) Now all of the components of the lock can be removed from the inside cover.  
(See Figure 9)



Figure 9

- 11) Mount the replacement lock on the cover and attach with the four screws that were just removed from the existing lock.

# *Installation Instruction for Turn Handle Assembly and Single Point Lock Assembly*

## **TURN HANDLE INSTALLATION**

- 12) Start the installation by lining up the gasket over the holes in the cover. (See Figure 10)



Figure 10

- 13) Now position the padlock hasp over the gasket and use a ½” socket wrench to tighten the self-tapping screws to the cover. The gasket should spread slightly when the screws have been completely tightened. (See Figures 11 and 12)  
**REMINDER:** Do not forget to make sure the standard screw is the larger of the two screws. (Refer to Steps 6 and 7 of the removal manual if necessary)

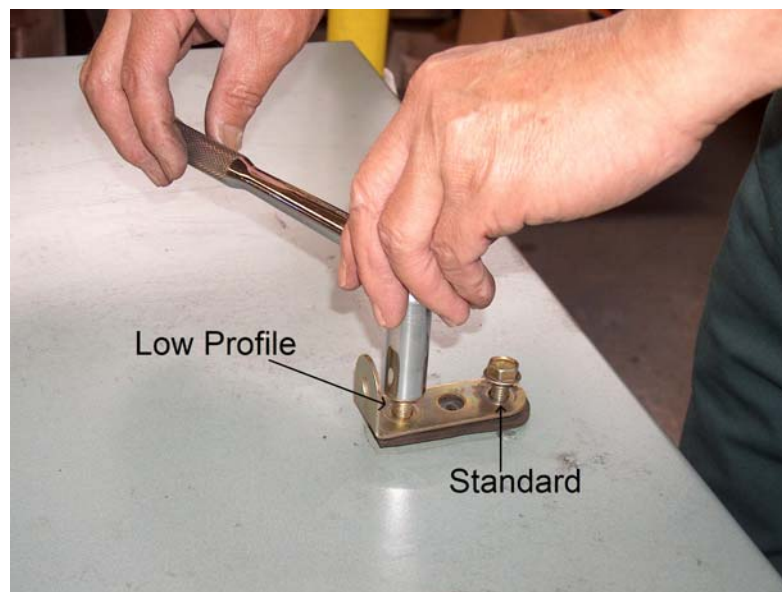


Figure 11

***Installation Instruction for Turn Handle Assembly and Single Point Lock Assembly***



Figure 12

14) Now take the part of the handle attached to the shaft and pass through the hole, the three washers, and lock on the other side of the cover. (See Figure 13)



Figure 13

## ***Installation Instruction for Turn Handle Assembly and Single Point Lock Assembly***

- 15) With the shaft through the cover and lock, place one washer on it flush with the lock and then position the other part of the handle over top of it. (See Figures 14 and 15)



Figure 14



Figure 15



## ***Installation Instruction for Turn Handle Assembly and Single Point Lock Assembly***

- 16) With the pin in place, hammer it through to secure the handle's position on the interior. This step completes installation of the turn handle.  
(See Figures 16 and 17)



Figure 16

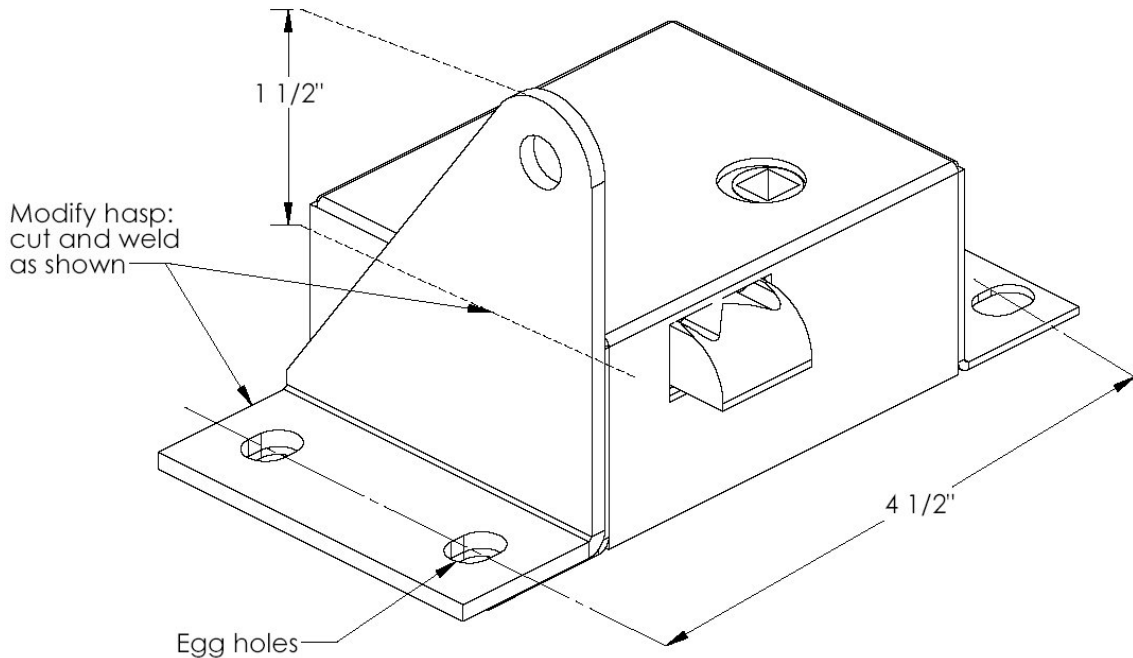


Figure 17

## ***Installation Instruction for Turn Handle Assembly and Single Point Lock Assembly***

**TO REPLACE OLD STYLE LOCKBOX with NEW STYLE for OLD SINGLE LEAF SCUTTLES with SINGLE POINT LOCKS**

- 1) Egg out mounting holes in lock case to 4 1/2" O.C.



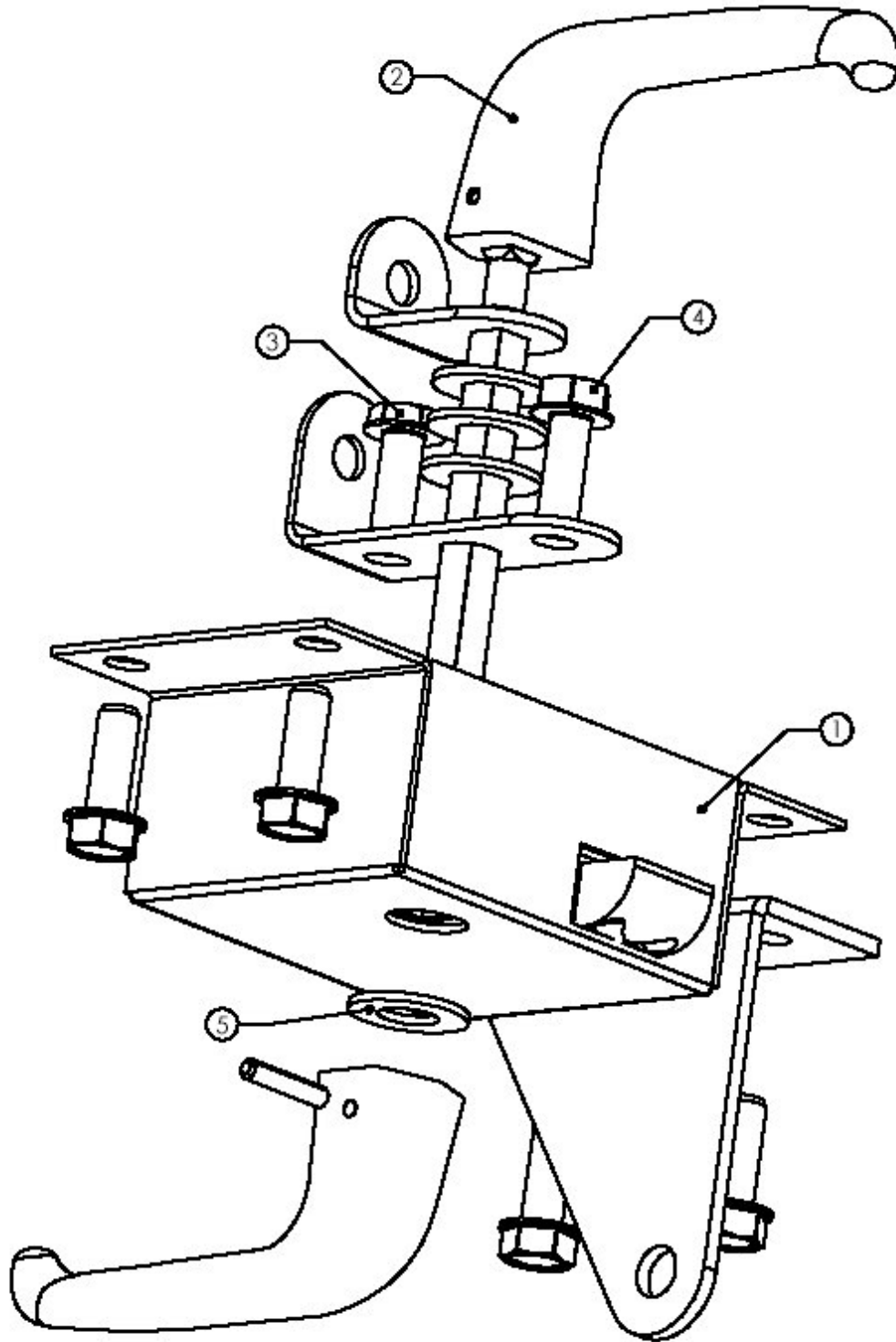
- 2) Have customer relocate strike (SD49B\_) 3/8" lower on unit..

### **SEND TO CUSTOMER**

Note lock assembly w/egged holes, strike, handle and hasp assembly, self-tap bolts and drill bit to relocate strike holes

**WE DO NOT PROVIDE OLD STYLE LOCK CASES ANYMORE!**

## *Installation Instruction for Turn Handle Assembly and Single Point Lock Assembly*



ITEM NO.	PART NO.	DESCRIPTION	QTY.
1	SD41-2	SINGLE PT. LOCK BOX ASSEMBLY	1
2	SD509	R.S. HANDLE ASSEMBLY	1
3	SD3-1-Y	SCREW-TAPTITE LOW 5/16"-18x7/8" YELLOW CHRMT	1
4	SD3-Y	SCREW-TAPTITE 5/16"-18x7/8" YELLOW CHRMT	5
5	SD29-A-Y	WASHER-FLAT .469 ID x .922 OD x .065 YELLOW CHRMT	4